

Folding seat



15.301
white finish

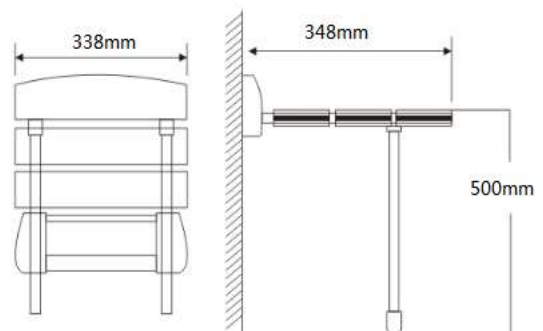


15.302
white finish

- Folding seat. ABS body with aluminum wall-mount bracket.
- 15.302 has stainless steel legs, height can be adjusted by the leg covers.
- Highest durability and rusting resistance.
- Easy to install. Easy cleaning.
- Waterproof.
- Suitable for accessible toilets, wc, showers and baths.
- Suitable for public use.
- It normally goes along with a grab bar.

COMPONENTS & MATERIALS

- Folding seat, 3 slots for water drainage in ABS, 3.0 cm thick.
- 15.301** Bearing weight: 150 kgs.
- 15.302** Bearing weight: 180 kgs.
- Aluminum bracket with independent installation panel.
- White powder coating on bracket and aluminum bars.
- Fixing materials included.



TECHNICAL SPECIFICATIONS

Recommended installation height 430-510 mm