

# HOTEC

## HAND DRYER

SENSOR OPERATED

JET



Reference: 11.113  
AISI 304 stainless steel satin

### COMPONENTS & MATERIALS

- Overall stainless steel food grade 304 satin finish.
- High speed self-developed brushless motor.
- 3 IR sensors in both sides for automatic hands detection.
- HEPA filter which avoids the entry of the tiny particles.
- Internal tank to collect the water and avoid a mess.
- Designed for high traffic bathroom and continuous use.
- Easy maintenance.
- Dimension: 625 high x 290 wide x 198 deep mm.
- Warranty: 3 years.

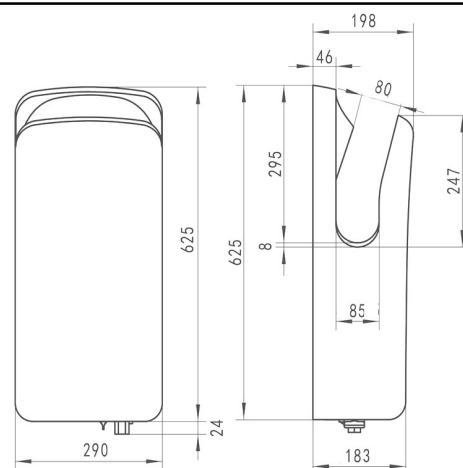
### TECHNICAL SPECIFICATIONS

· <b>Material</b>	AISI 304 stainless steel
· <b>Cover thickness</b>	1.0 mm thick
· <b>Voltage/Frequency</b>	AC220V, 50/60Hz
· <b>r.p.m.</b>	19000-20000
· <b>Total power</b>	2200W
· <b>Motor power</b>	700W
· <b>Heating element power</b>	1500W
· <b>Air velocity</b>	90-95m/s
· <b>Air temperature</b>	20-40°C
· <b>Noice level</b>	< 68dB
· <b>Protection level</b>	IP34
· <b>Drying time</b>	5-10s

### CERTIFICATE



### TECHNICAL DRAWING



## FEATURES

- Overall stainless steel food grade 304, including inner structures & install screws.
- No openings or cracks on the surface, easy to clean dirt, no chance for bacteria survive.
- No fear of fire, burning cigarette butts. Scratch can be repaired.
- Sealing material CR4305.



- Adopting a complete closed structure to protect brushless motor and stainless steel rotor, last up to 10 years.



- Washable with water. Disinfect with disinfectant, ultraviolet rays and hot water.



- Use vacuum cleaner and air blower (colder) to clean HEPA filter.
- Outer filter can be washed for repeated use.
- Warranty: 3 years.

