



15.224.S
satin finish

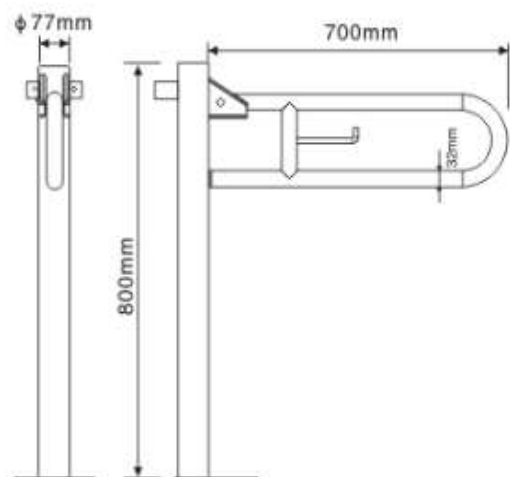
- Vertical swing-up grab bar with roll holder hock to place next to the toilet.
- It consists of a "U" shape tube, a paper roll holder and a heavy-duty wall plate, 3 mm thick.
- Safety swing-up position that locks the bar in vertical position.
- Made of AISI 304 stainless steel, satin finish.
- Recommended for use in bathrooms and showers.
- Suitable for bathrooms adapted to disabled.
- 32mm diameter bar for easier gripping.
- Highest durability and rusting resistance.

COMPONENTS & MATERIALS

- Ø32 mm tube grab. Steel thickness: 1,2 mm.
- Stainless steel screws and bolts for masonry walls.
- Incorporates 6 screws holes for wall mounting.
- With brake and paper holder.

TECHNICAL SPECIFICATIONS

Bar tube	Ø32 mm
Bar tube thickness	1.2 mm
Mounting flange	100x300 mm



15.224.S 800x700mm